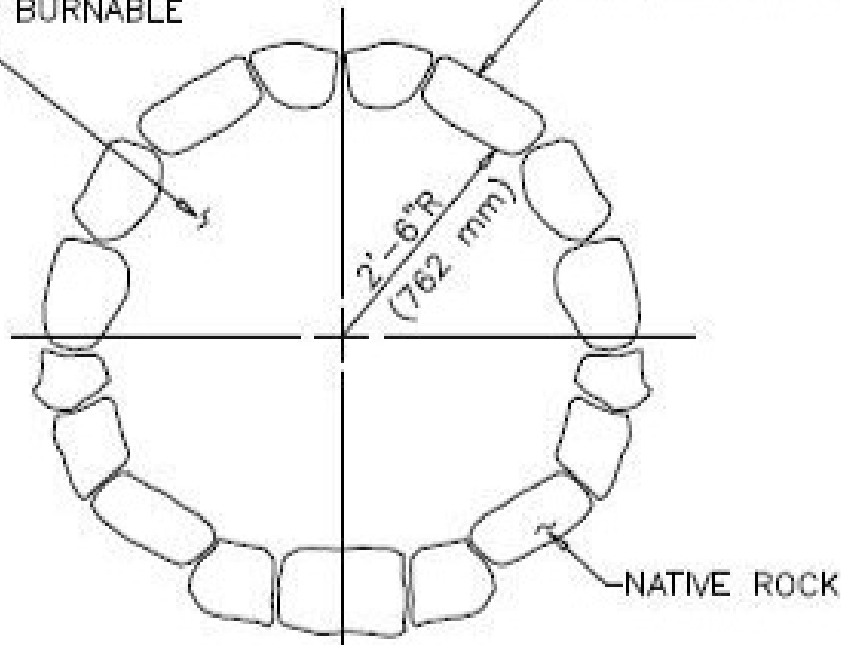


SOIL INSIDE FIRE CIRCLE
TO BE CLEARED OF ALL
VEGETATIVE & BURNABLE
MATERIAL

ROCK SIZE - 12"Ø (305 mm) MIN.



PLAN

EXISTING GROUND
LINE

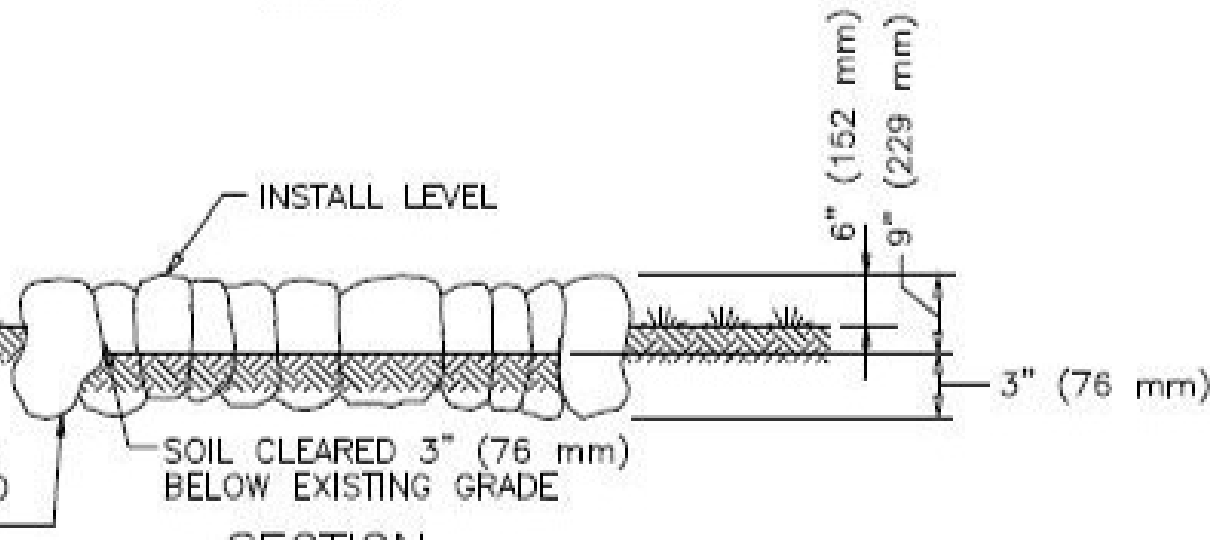
INSTALL LEVEL

6" (152 mm)
9" (229 mm)

SOIL TO BE FIRMLY
COMPACTED AROUND
ROCKS

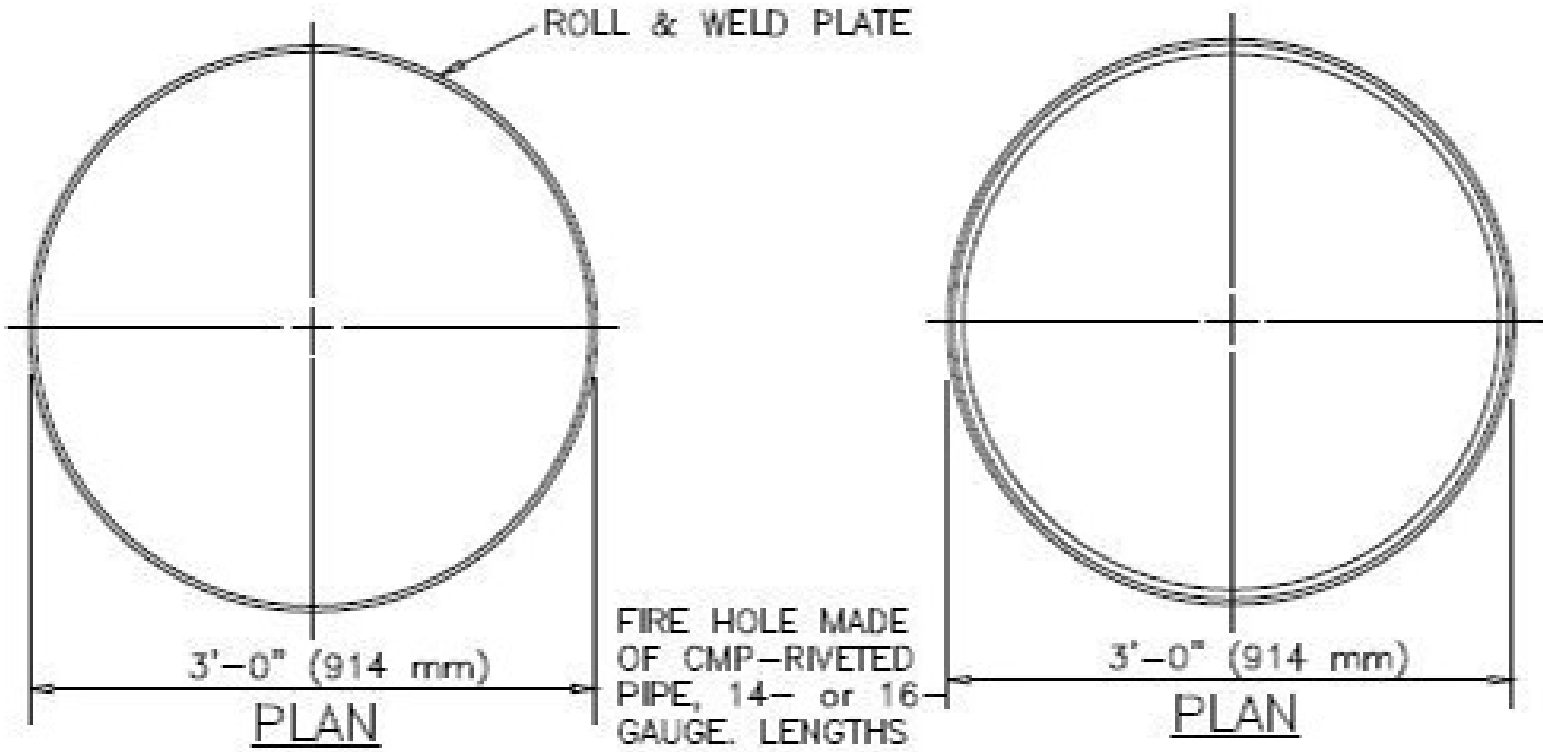
SOIL CLEARED 3" (76 mm)
BELOW EXISTING GRADE

3" (76 mm)

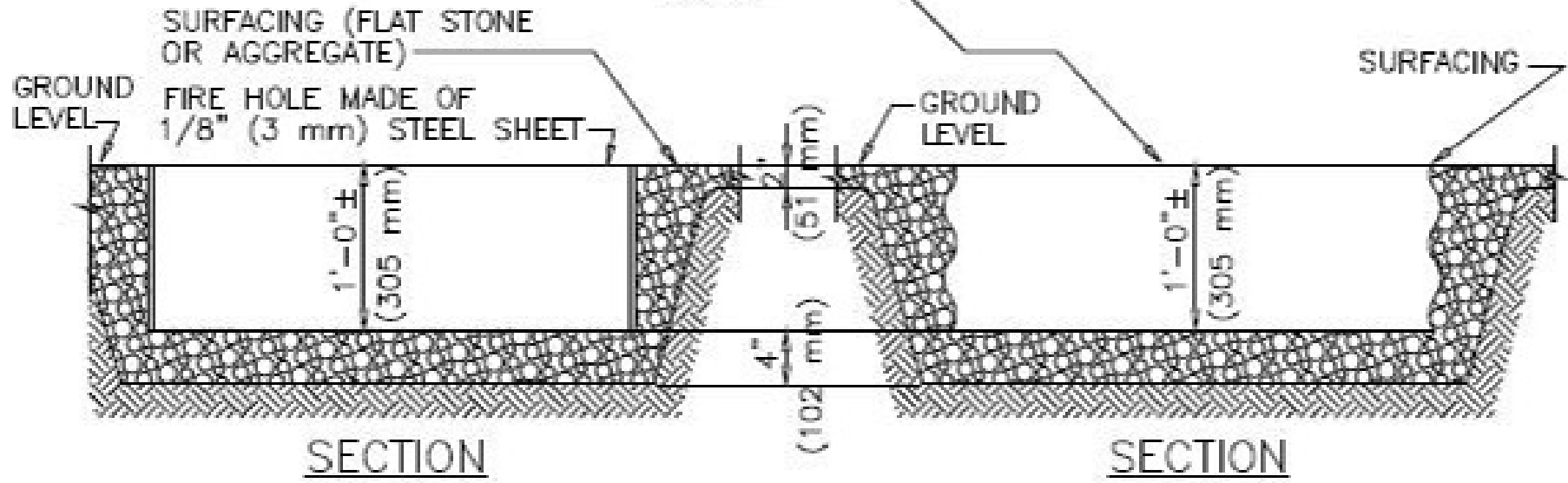


SECTION

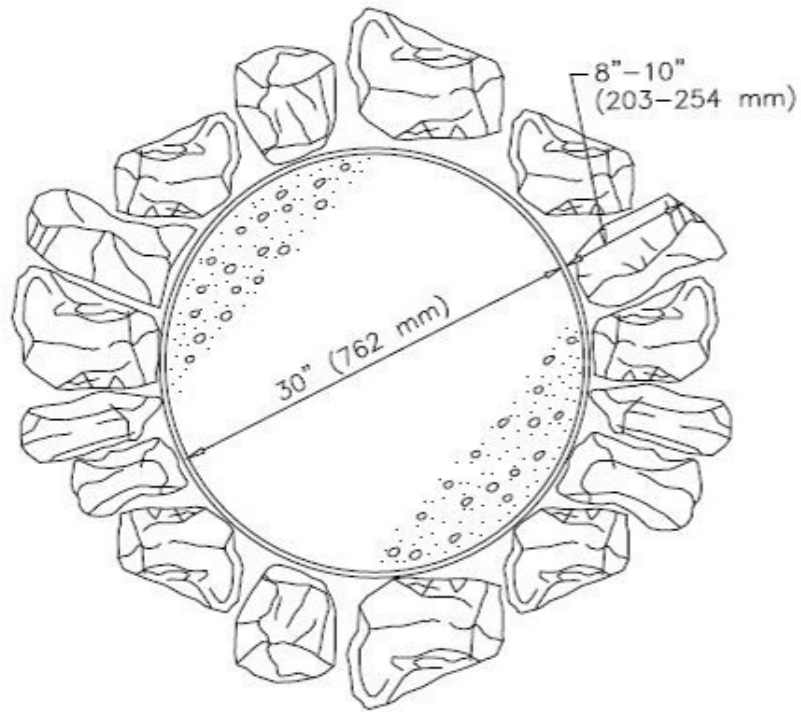
FIRE CIRCLE



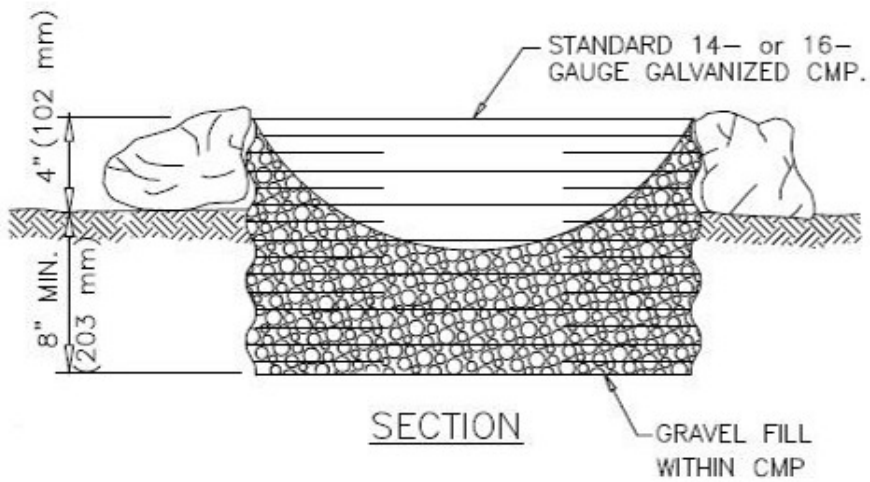
FIRE HOLE MADE OF CMP-RIVETED PIPE, 14- or 16 GAUGE. LENGTHS OF PIPE OR COLLARS MAY BE USED.



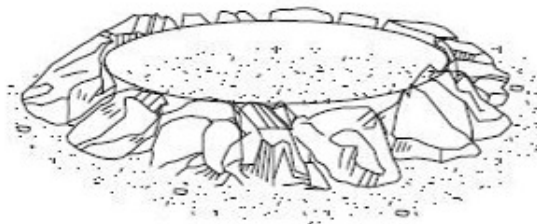
FIRE HOLE



PLAN



SECTION



PERSPECTIVE

FIRE CIRCLE
W/ CORRUGATED
METAL PIPE (CMP)